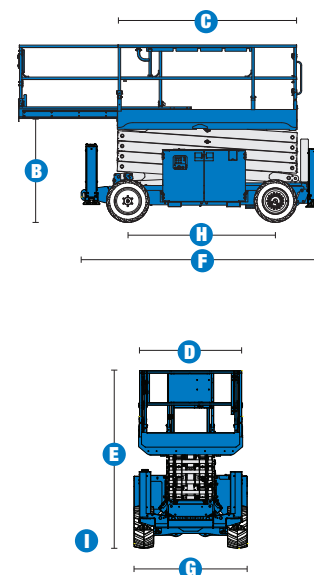


# Specifications

MODELS	GS™-2669 DC		GS™-3369 DC		GS™-4069 DC	
	Metric	US	Metric	US	Metric	US
Working height maximum*	9.98 m	32 ft	11.96 m	38 ft 8 in	14.29 m	46 ft 4 in
<b>A</b> Platform height maximum	7.98 m	26 ft	9.96 m	32 ft 8 in	12.29 m	40 ft 4 in
Drive height	7.98 m	26 ft	9.96 m	32 ft 8 in	12.29 m	40 ft 4 in
<b>B</b> Platform height - stowed	1.47 m	4 ft 10 in	1.47 m	4 ft 10 in	1.65 m	5 ft 5 in
<b>C</b> Platform length - outside	2.79 m	9 ft 2 in	2.79 m	9 ft 2 in	2.79 m	9 ft 2 in
extended	4.32 m	14 ft 2 in	4.32 m	14 ft 2 in	4.32 m	14 ft 2 in
Slide-out platform extension deck	1.52 m	5 ft	1.52 m	5 ft	1.52 m	5 ft
<b>D</b> Platform width - outside	1.60 m	5 ft 3 in	1.60 m	5 ft 3 in	1.60 m	5 ft 3 in
Toeboard height	0.15 m	6 in	0.15 m	6 in	0.15 m	6 in
<b>E</b> Height - stowed	2.59 m	8 ft 6 in	2.59 m	8 ft 6 in	2.74 m	9 ft
rails lowered	1.92 m	6 ft 3.5 in	1.92 m	6 ft 3.5 in	2.08 m	6 ft 10 in
<b>F</b> Length - stowed	3.76 m	12 ft 4 in	3.76 m	12 ft 4 in	3.76 m	12 ft 4 in
platform extended	4.81 m	15 ft 9.5 in	4.81 m	15 ft 9.5 in	4.81 m	15 ft 9.5 in
<b>G</b> Width	1.75 m	5 ft 9 in	1.75 m	5 ft 9 in	1.75 m	5 ft 9 in
<b>H</b> Wheelbase	2.29 m	7 ft 6 in	2.29 m	7 ft 6 in	2.29 m	7 ft 6 in
<b>I</b> Ground clearance - center	0.24 m	9.5 in	0.24 m	9.5 in	0.24 m	9.5 in



## PRODUCTIVITY

Maximum platform occupancy**	4		4		3	
Lift capacity	680 kg	1,500 lbs	454 kg	1,000 lbs	363 kg	800 lbs
Extension deck capacity	136 kg	300 lbs	136 kg	300 lbs	136 kg	300 lbs
Drive speed - stowed	7.2 km/h	4.5 mph	7.2 km/h	4.5 mph	7.2 km/h	4.5 mph
Drive speed - raised	0.5 km/h	0.3 mph	0.5 km/h	0.3 mph	0.5 km/h	0.3 mph
Gradeability - uphill stowed***	35%		35%		35%	
downhill stowed***	15%		15%		15%	
Maximum outrigger leveling:	5.3°/4.2° 11.7°					
front to back						
side to side						
Turning radius - inside	2.11 m	83 in	2.11 m	83 in	2.11 m	83 in
Turning radius - outside	4.60 m	181.2 in	4.60 m	181.2 in	4.60 m	181.2 in
Raise/lower speed	34/31 sec		39/29 sec		61/28 sec	
Controls	Proportional Drive / 2 Speed Lift					
Tyres - rough terrain	30x66 cm	12x26 in	30x66 cm	12x26 in	30x66 cm	12x26 in

## POWER

Power source	48V DC (eight 6V batteries, 225 Ah Capacity)		48V DC (eight 6V batteries, 225 Ah Capacity)		48V DC (eight 6V batteries, 315 Ah Capacity)	
Hydraulic system capacity	68.1 L	18 gal	68.1 L	18 gal	68.1 L	18 gal

## WEIGHT\*\*\*\*\*

	3,995 kg	8,806 lbs	3,877 kg	8,547 lbs	5,419 kg	11,946 lbs
--	----------	-----------	----------	-----------	----------	------------

## STANDARDS COMPLIANCE

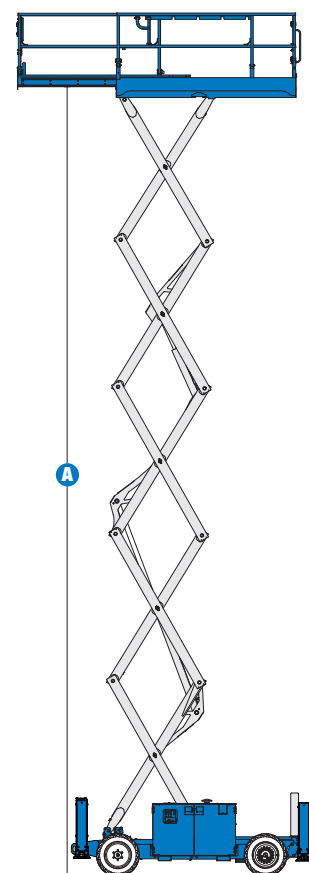
ANSI A92.6, CSA B354.2, CE Compliance, AS 1418.10

\* The metric equivalent of working height adds 2 m to platform height. U.S. Adds 6 ft to platform height.

\*\* CE/AUS markets: GS™-3369 and GS™-4069 are limited to 2 person platform occupancy when used outdoors.

\*\*\* Gradeability applies to driving on slopes. Gradeability may vary depending on the weight of options installed on machine. See operator's manual for details regarding slope ratings.

\*\*\*\* Weight varies depending on options and country standards.



## Features

### STANDARD FEATURES

#### MEASUREMENTS

##### GS™ -2669 DC

- 32 ft (9.98 m) working height
- Up to 1,500 lb (680 kg) lift capacity

##### GS™ -3369 DC

- 38 ft 8 in (11.96 m) working height
- Up to 1,000 lb (454 kg) lift capacity

##### GS™ -4069 DC

- 46 ft 4 in (14.29 m) working height
- Up to 800 lb (363 kg) lift capacity

#### PRODUCTIVITY

- AC sealed brushless drive motors
- 110 x 63 in (2.79 x 1.6 m) steel frame platform with replaceable aluminum deck
- 5 ft (1.52 m) extension deck
- Automatic leveling hydraulic outriggers
- Folding guardrails
- Proportional drive and two speed lift
- Full height swing gate
- 2WD
- Front oscillating axle
- Positive traction control
- Regenerative braking
- Non-marking, rough terrain tyres 30 x 66 cm (12 x 26 in)
- Tilt level sensor with audible alarm
- Descent alarm
- Horn
- Hour meter
- Dual flashing beacons
- Motion alarm

#### POWER

- 48 V DC (eight 6V batteries)

### OPTIONS & ACCESSORIES

#### PRODUCTIVITY

- Air line to platform
- 240 Volt power to platform



### Genie Australia – Toll free number 1800 788 633

#### Brisbane (Head Office)

33 Kimberley Street  
Darra QLD 4076

#### Sydney

74 Glendenning Road  
Glendenning NSW 2761

#### Melbourne

374 Hammond Road  
Dandenong VIC 3175

#### Perth

126 Sheffield Road  
Welshpool WA 6106

#### Genie United States

18340 NE 76th Street  
P.O. Box 97030  
Redmond, Washington  
98-73-9730

Effective Date: March 2013. Product specifications and prices are subject to change without notice or obligation. The photographs and/or drawings in this document are for illustrative purposes only. Refer to the appropriate Operators' Manual for instructions on the proper use of this equipment. Failure to follow the Operators Manual when using our equipment or to otherwise act irresponsibly may result in serious injury or death. The only warranty applicable to our equipment is the standard written warranty applicable to the particular product and sale and we make no other warranty, express or implied. Products and services listed may be trademarks, service marks, or trade names of Terex Corporation, Terex South Dakota, Inc., and/or their subsidiaries in the USA and other countries. All rights reserved. Terex is a registered trademark of Terex Corporation in the USA and many other countries. Genie is a registered trademark of Terex South Dakota, Inc. in the USA and many other countries. ©2009 Terex Corporation.